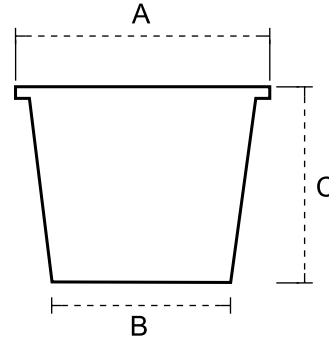




KP 210/90 T1



A - 97 MM
B - 70,5 MM
C - 56 MM

Capacity
0,210 l

Material
 PP

Colour
in accordance with palette

IML
body, lid

Handle
-

Package

Individual package is available on customer's request

Type of package	Height, m	Number of units	Brutto kg	Packaging materials:
American pallet (1200x1000 mm)	2	25000	261	corrugated box polyethylene bag 1000*1100 mm
Euro pallet (1200x800 mm)	2	20000	211	
Carton (613x413x458 mm)	0,458	1250	12,2	

Lids

Diameter mm	Material	Description	IML	Max static load on a lid, kg
type 1 97	PP	liquid-tight	yes	2,5
type 2 97	PP	non liquid-tight	yes	2,5

Recommendations

FSSC 22000

TY Y 22.2-13429839-002:2018

Recommendations regarding performing tests of Vital Plast packaging

- before being tested all samples of Vital Plast packaging should be conditioned for at least 24 hours at (21±2)°C and under relative humidity of 65±5%.

Recommendations regarding Vital Plast packaging utilization

- in all cases of abnormal temperatures during transportation of Vital Plast plastic packaging (at the temperatures below 1°C or above 35°C), plastic packaging should be kept for at least 24 hours at least at (21±2)°C before being utilized;
- the temperature of the filling should not exceed 70 °C;
- the temperature of the filling at the moment of lid closing should not exceed 35 °C

Recommendations regarding palletizing

- packed products should be placed on pallets without cracks or other defects, which might damage goods. The pallets should be strong enough to sustain the weight of packed products;
- maximal static load on lids and containers in the lower layer at a temperature of is specified in the table "Lids" and calculated at the temperature 20°C;
- placement of a corrugated cardboard on a base in case of any gaps between the pallet boards exceeding 50 mm is recommended to ensure even distribution of the load's weight;
- pallet with finished products must be wrapped with the heat shrinkable or stretch tape from top to bottom for protection against vertical and horizontal pressures;
- stretch tape wrapping should not be too tight in order to avoid deformation of packaging of goods on the pallets;
- in case when finished products are put on the pallet without transportation boxes, each layer of containers should be covered with cardboard, especially during the hot season of the year. Cardboard inserts will allow a stiffer and more stable pallet for safer storage and transportation.

Recommendations regarding warehouse storing

- Vital Plast plastic packaging should be stored at the temperature range from 1 to 35 ° C in a sheltered storage and at least 1 meter away from heating appliances;
- all manipulation signs printed on boxes, such as "Top", "Fragile", "Protect from rain", "Protect from sunlight" etc. should be strictly followed;
- it is recommended to install pallets with the products in the ventilated lower storage cells in cases when the temperature in the warehouse exceeds 30°C.

Recommendations regarding transportation

- Vital Plast plastic packaging should be transported by fully covered vehicles;
- no extra load should be placed above the pallets;
- do not transport consumer plastic containers and the products in consumer plastic containers without transport packaging;
- transport packaging in the vehicle should be positioned in the manner which prevents any movements and vertical deviations by more than 5 ° (no pendulum oscillation) during transportation.

IMPORTANT! Feasibility of increasing the number of containers on a pallet, as well as effectiveness of storage improvements with the use of materials like heat-shrinkable tape, corrugated cardboard gaskets, etc. should be verified by tests.